

- "INTCHG AS A SET":

This indicates that the interchangeable part is interchangeable as a set with the installed part.

Replacement requires that the entire quantity of the old part used in an installation be replaced with a complete set of the new part. For sets comprised of more than one part number, Qualified Interchangeability applies.

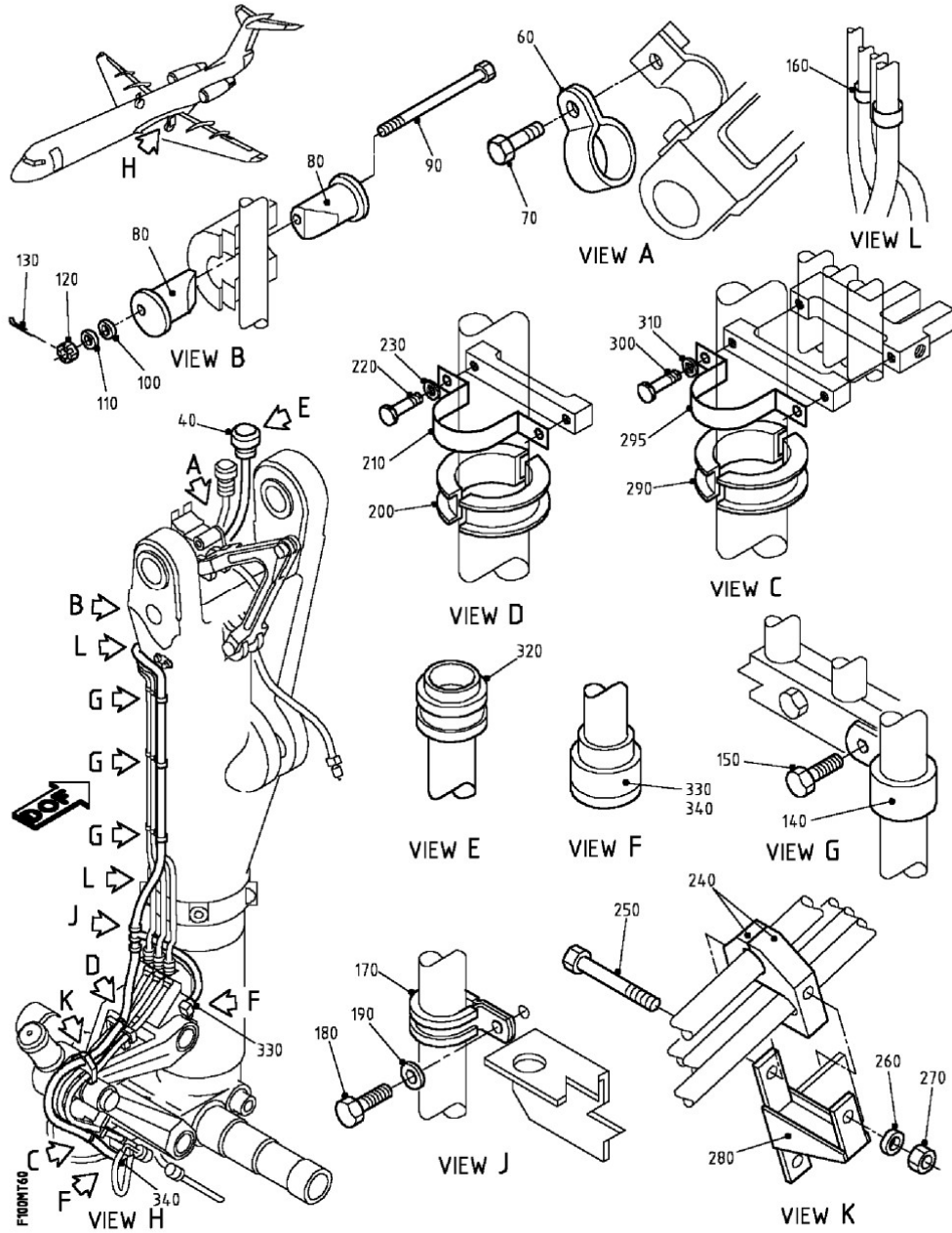
- "QUALIFIED INTCHG":

This indicates that the interchangeable part is qualified interchangeable with the installed part.

The old part can be replaced by the new part when the conditions are stated in a Service Bulletin.

32-11-06-03D HARNESS - DOWNLOCK TEMP SENSOR AND ANTISKID

EFFECTIVITY: 003004



32-11-06-03D HARNESS - DOWNLOCK TEMP SENSOR AND ANTISKID

EFFECTIVITY: 003004

FIG. ITEM	PART NUMBER	1234567 NOMENCLATURE	EFFECT	UA
03D		HARNESS - DOWNLOCK TEMP SENSOR AND ANTISKID		
- 010	D07353	- MAIN LANDING GEAR	003004	RF
- 020A	201072013	-- ML GEAR-LH VK0654 FIG. 32-11-01-01 PR SBF100-32-155	004004	RF
- 020B	201072015	-- ML GEAR-LH VK0654 FIG. 32-11-01-01 PR SBF100-32-155	003003	RF
- 020D		-- ML GEAR LH (MESSIER DOWTY TYPE) FIG. 32-11-01-01 PO SBF100-32-155	003004	RF
- 030A	201072014	-- ML GEAR-RH VK0654 FIG. 32-11-01-01 PR SBF100-32-155	004004	RF
- 030B	201072016	-- ML GEAR-RH VK0654 FIG. 32-11-01-01 PR SBF100-32-155	003003	RF
- 030D		-- ML GEAR RH (MESSIER DOWTY TYPE) FIG. 32-11-01-01 PO SBF100-32-155	003004	RF
040B	201251261	--- HARNESS, LH VK0653 CAN BE REPLACED BY: 201650207 QUALIFIED INTERCHG VK0654 700602500 QUALIFIED INTERCHG VK0653 =====	003004	01
- 050B	201251260	--- HARNESS, RH VK0653 ??? } CAN BE REPLACED BY: 201650206 QUALIFIED INTERCHG VH0W98 700602600 QUALIFIED INTERCHG VK0653 =====	003004	01
060	201072714	--- CLAMP VK0654	003004	01
070	1007U0D42	--- ATTACHING PARTS SCREW VK0654	003004	01
080	201072713	--- *** CLAMP VK0654	003004	02